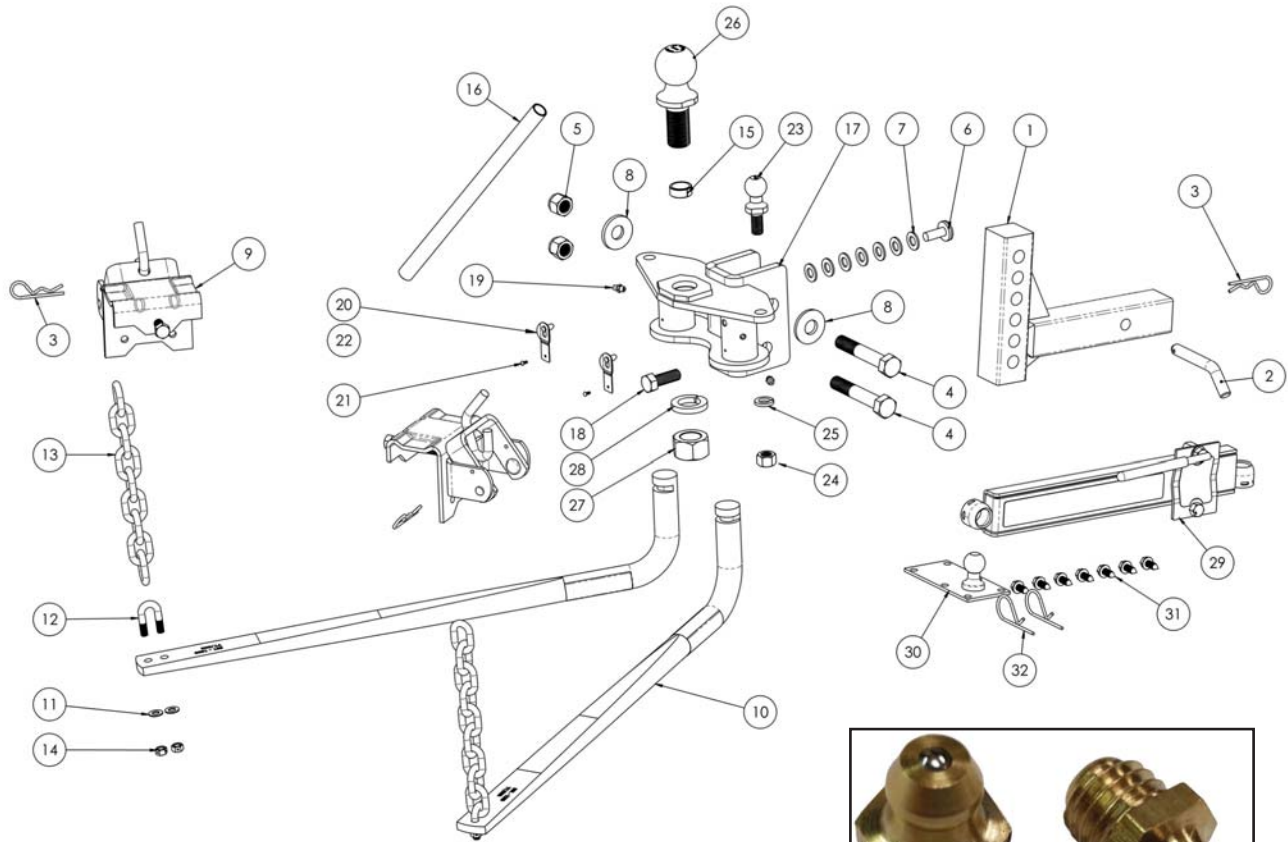


Husky Round Bar Weight Distribution Hitch Parts



See next page for illustration descriptions

ROUND BAR HITCHES (see page 646)	
Part #	Description
31421	400-600# WDH Round Bar
31986	400-600# WDH Round Bar Pkg with Sway Control, 2-5/16" Ball
31995	400-600# WDH Round Bar Pkg with Sway Control, 2" Ball
31427	501-800# WDH Round Bar, without shank
31422	501-800# WDH Round Bar
31997	501-800# WDH Round Bar Pkg with Sway Control, 2-5/16" Ball
31996	501-800# WDH Round Bar Pkg with Sway Control, 2" Ball
31428	801-1200# WDH Round Bar without shank
31423	801-1200# WDH Round Bar
30849	801-1200# WDH Round Bar Pkg with Sway Control, 2-5/16" Ball
31425	1001-1400# WDH Round Bar
REPLACEMENT PARTS	
32296	Grease Fitting Kit for Husky round bar WD heads (Item #19)

ROUND BAR HITCH REPLACEMENT PART PACKAGES	
Part #	Description
31518	10" Bolt-Together Shank Assembly
31516	Kit, Service, WD Head
31527	Kit, Spring Bar Retainer
31519	400-600 lb. Spring Bar Assembly Kit
31520	501-800 lb. Spring Bar Assembly Kit
31521	801-1200 lb. Spring Bar Assembly Kit
31522	1001-1400 lb. Spring Bar Assy. Kit
31524	Kit, Lift Handle
31260	Chain Lift Bracket Kit, includes 1/2" x 3-1/2" Hex Bolt and Hair Pin (Spring Clip) (Sold Each; 2 required/hitch)
30698	Chain Service Kit, 11 Link
31526	Kit, Spring Bar Chain Package
31525	Kit, Hardware
37153	Kit, 5/8" x 1-3/4" Hex Bolt

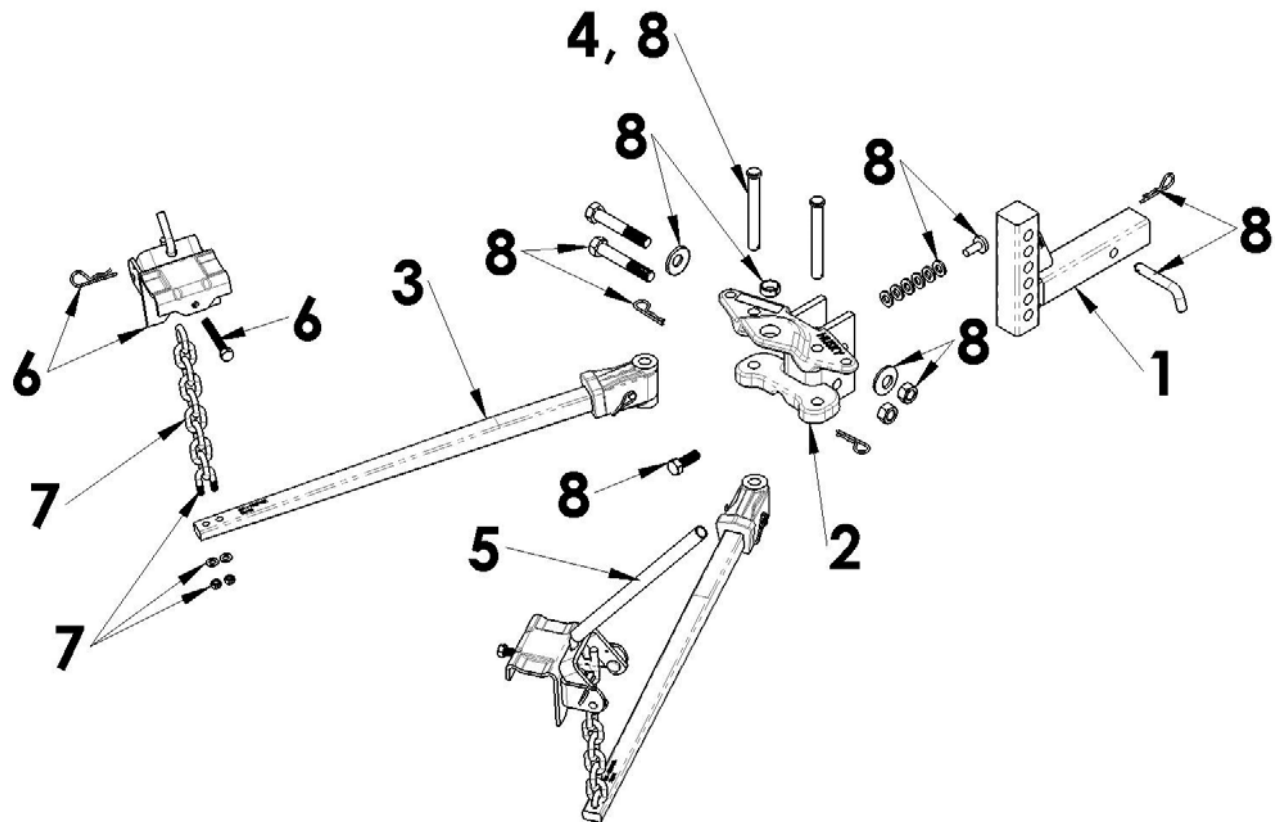
Weight Dist. Hitch Parts



Husky Round Bar Weight Distribution Hitch Parts

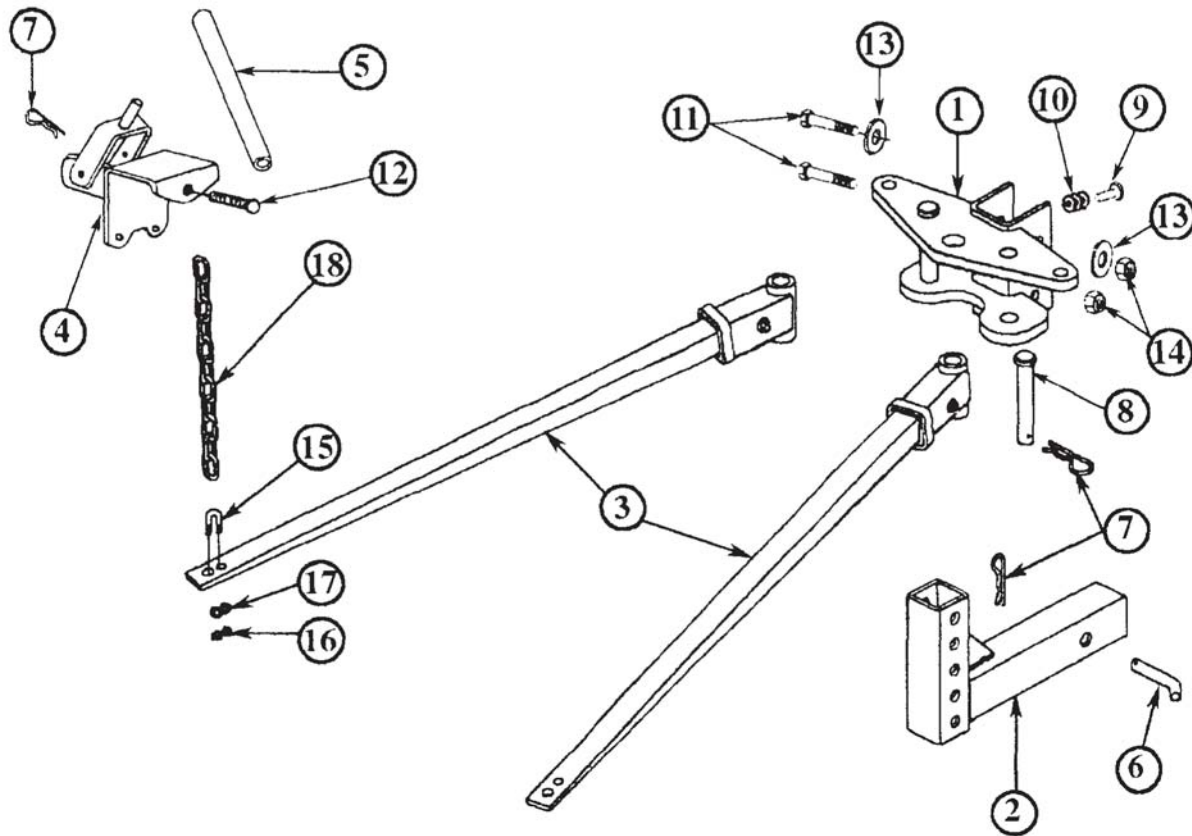
Ref.	Part Description	COMPLETE HITCH CONTENTS											REPLACEMENT PARTS PACKAGE CONTENTS												
		31421	31986	31995	31427	31422	31997	31996	31428	31423	30849	31425	31518	31516	31527	31519	31520	31521	31522	31524	31260	31526	31525	37153	
1	Shank Weldment	1	1	1		1	1	1		1	1	1	1												
2	Hitch Pin 5/8"	1	1	1	1	1	1	1	1	1	1	1											3		
3	Pin, 5/8" Hair	1	1	1	1	1	1	1	1	1	1	1									2		1		
4	Bolt, Hex, 3/4-10 x 4.5, GR5	2	2	2	2	2	2	2	2	2	2	2											2		
5	Nut, Hex, 3/4-10, GR5	2	2	2	2	2	2	2	2	2	2	2											2		
6	Pin, Tilt, Head	1	1	1	1	1	1	1	1	1	1	1											1		
7	Flat Washer 1/2" ID x 1-1/16" OD	7	7	7	7	7	7	7	7	7	7	7											7		
8	Washer, Cone	2	2	2	2	2	2	2	2	2	2	2											2		
9	Lift Unit Assembly with 1/2-13 x 3-1/2" hex bolt installed	2	2	2	2	2	2	2	2	2	2	2									2				
10	400-600 lb. RSB & Chain Assy.	2	2	2											1										
10a	501-800 lb. RSB & Chain Assy.				2	2	2	2								1									
10b	801-1200 lb. RSB & Chain Assy.								2	2	2						1								
10c	1001-1400 lb. RSB & Chain Assy.											2						1							
11	Flat Washer, 3/8" ID x 3/4" OD	4	4	4	4	4	4	4	4	4	4	4										2			
12	3/8" U-Bolt	2	2	2	2	2	2	2	2	2	2	2										2			
13	9 Link Chain	2	2	2	2	2	2	2	2	2	2	2										2			
14	Indented Lock Hex Nut, 3/8"-16	4	4	4	4	4	4	4	4	4	4	4										2			
15	1-1/4" to 1" Bushing	1	1	1	1	1	1	1	1	1	1	1											1		
16	Tube, Lift	1	1	1	1	1	1	1	1	1	1	1							1						
17	Head Assembly	1	1	1	1	1	1	1	1	1	1	1		1											
18	Bolt, Hex, 5/8-11 x 1-3/4", GR5	1	1	1	1	1	1	1	1	1	1	1										1	1		
19	Fitting, Grease, Straight	2	2	2	2	2	2	2	2	2	2	2													
20	Plate, Spring Bar Retaining	2	2	2	2	2	2	2	2	2	2	2			2										
21	Rivet, Spiral Drive	2	2	2	2	2	2	2	2	2	2	2			2										
22	Pin, Tapered Retaining	2	2	2	2	2	2	2	2	2	2	2			2										
23	Ball, Friction Sway		1	1			1	1			1														
24	Nut, Hex, 5/8-11		1	1			1	1			1														
25	Washer, Lock, 5/8"		1	1			1	1			1														
26	2-5/16" x 1-1/4" x 2-5/8" Hitch Ball		1				1				1														
26a	2" X 1-1/4" X 2-5/8" Hitch Ball			1				1																	
27	Nut, Hex, 1-1/4-12		1	1			1	1			1														
28	Lock, Washer, 1-1/4" x .313 Thk.		1	1			1	1			1														
29	RH Friction Sway Control Assy.		1	1			1	1			1														
30	Ball and Plate Assy.		1	1			1	1			1														
31	Hex Tapping Screw, 3/8" x 1"		7	7			7	7			7														
32	Hair Pin Clip		2	2			2	2			2														

Husky Weight Distribution Hitch Parts Pin Trunnion Models 31331, 31335, 31620, 31621



Ref.	Part #	Description
1	31518	Shank Assembly
2	30580	LS Head Assembly
3	31587	800 lb. Spring Bar Assembly with Trunnion Castings installed
3	31588	1200 lb. Spring Bar Assembly with Trunnion Castings installed
4	30695	Clevis Pin, 3/4" (Sold Each; 2 required/hitch)
5	31524	Lift Handle
6	31260	Chain Lift Bracket Kit, includes 1/2" x 3-1/2" Hex Bolt and Hair Pin (Spring Clip) (Sold Each; 2 required/hitch)
7	31526	Spring Bar Chain Package, with quantities for a complete hitch (includes 2 each: Lift Chain, 3/8" U-Bolt, 3/8" Flat Washer, 3/8" Lock Nut)
8	31589	Fastener Package for complete hitch, contains: (1) 5/8" Hitch Pin; (5) Hair Pin (Spring Clip); (2) Hex Screw (3/4"-10 x 4-1/2"); (2) Hex Bolt (1/2"-13x3-1/2"); (2) Hex Lock Nut (3/4"-10); (2) Conical Tooth Washer (3/4"); (1) Reducer Bushing 1-1/4" to 1"; (1) Hardened Pin, 1/2" Dia. x 1-1/4"; (7) Hardened Washer, 1/2"; (2) Clevis Pin (3/4")

Husky Pin Trunnion Weight Distribution Hitch Parts Model 31330 and discontinued model 07027



Ref.	Part #	Description
1	30683	LS Head Assembly
2	30684	LS Shank Assembly
3	30685	LS 300-500 lb. Spring Bar Assembly (Black) (Sold Each; 2 required/hitch)
4	31260	Chain Lift Bracket Kit, includes 1/2" x 3-1/2" Hex Bolt and Hair Pin (Spring Clip) (Kits are sold Each; 2 required/hitch)
5	31524	Lift Handle
6	31526	Spring Bar Chain Package, with quantities for a complete hitch (includes 2 each: Lift Chain, 3/8" U-Bolt, 3/8" Flat Washer, 3/8" Lock Nut)
7	30687	LS Clevis Pin (Sold Each; 2 required/hitch)
8	33790	Hitch Pin & Spring Clip, 5/8", 1/Card
9	33792	Spring Clip, Bulk, 5/8", Bulk
10	37156	LS Hardened Pin, 1/2" x 1-1/4"
11	37155	LS Hardened Washer, 1/2" (Sold Each; 3 required/hitch)
12	30688	LS 1/2" x 3-1/4" Hex Bolt (Sold Each; 2 required/hitch)
13	30689	LS 1/2" Conical Washer
14	30690	LS 1/2" Lock Nut